

SHOWN IN
VOLTAGE MODE.
10V RANGE

NOTES:

- (1) PROGRAM SUPPLY COMMON
- (2) PREREGULATOR COMMON
- (3) SERIES PASS OUTPUT COMMON
- (4) + SENSE COMMON
- (5) SWITCHES ARE SHOWN IN THE VOLTAGE MODE, 10 V RANGE. SEE FIGURE 3-9 FOR CONTACT TRUTH TABLE

FIGURE 8-1 3330B FUNCTIONAL BLOCK DIAGRAM

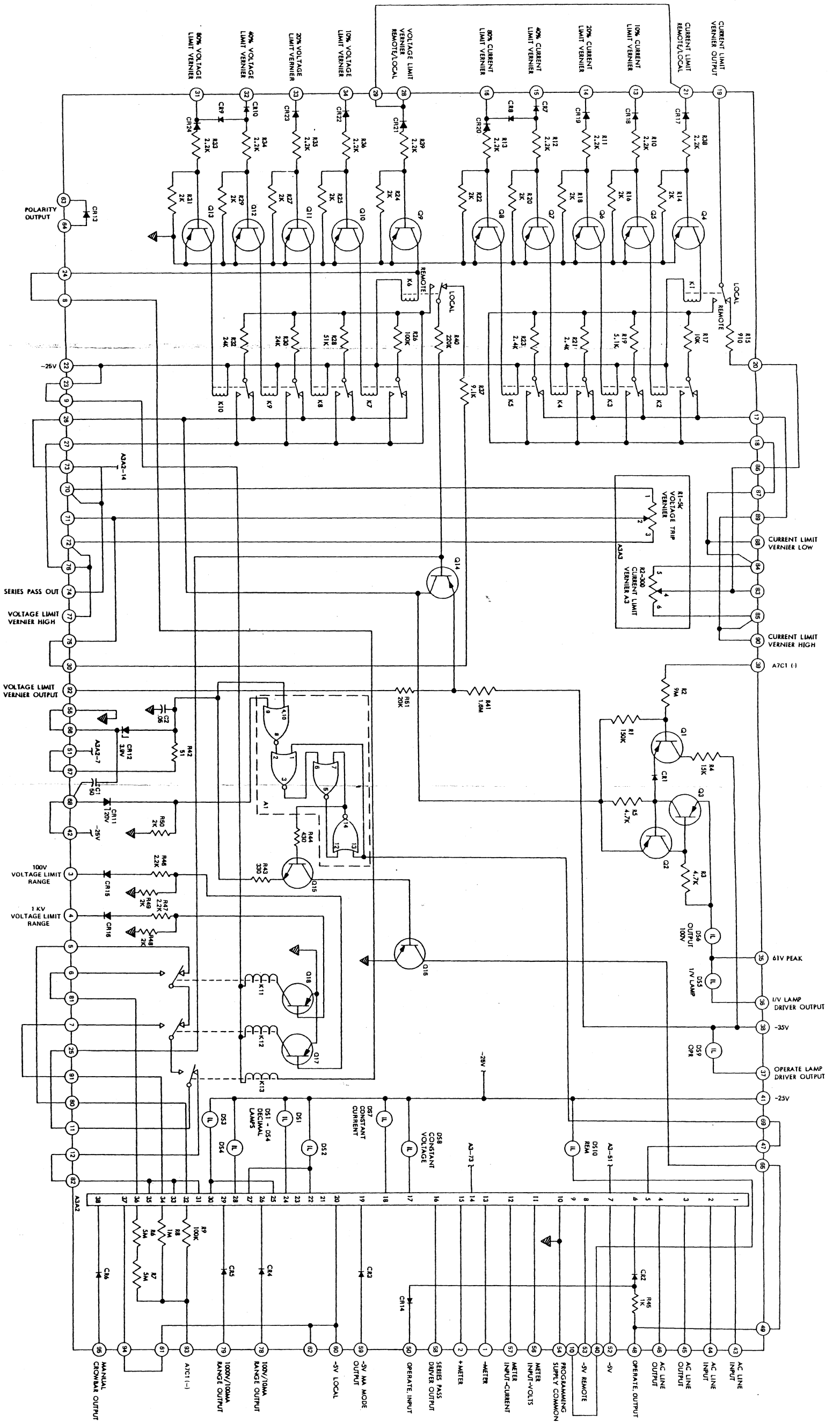
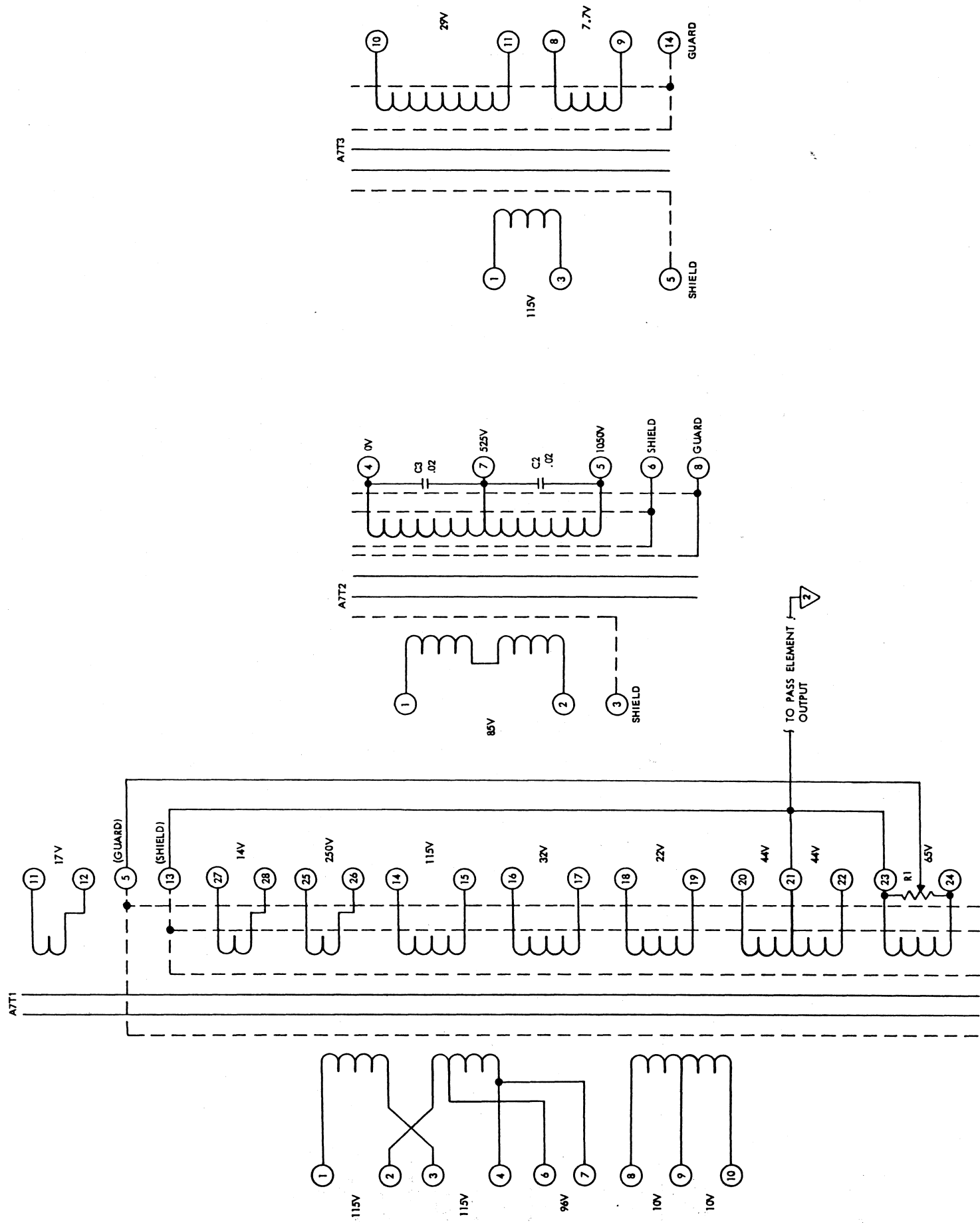


FIGURE 8-4 A3 FRONT MOTHER BOARD ASSEMBLY (3330B-1006) AND A3A3 I/V LIMIT VERNIER ASSEMBLY (333A-1012)

8-6

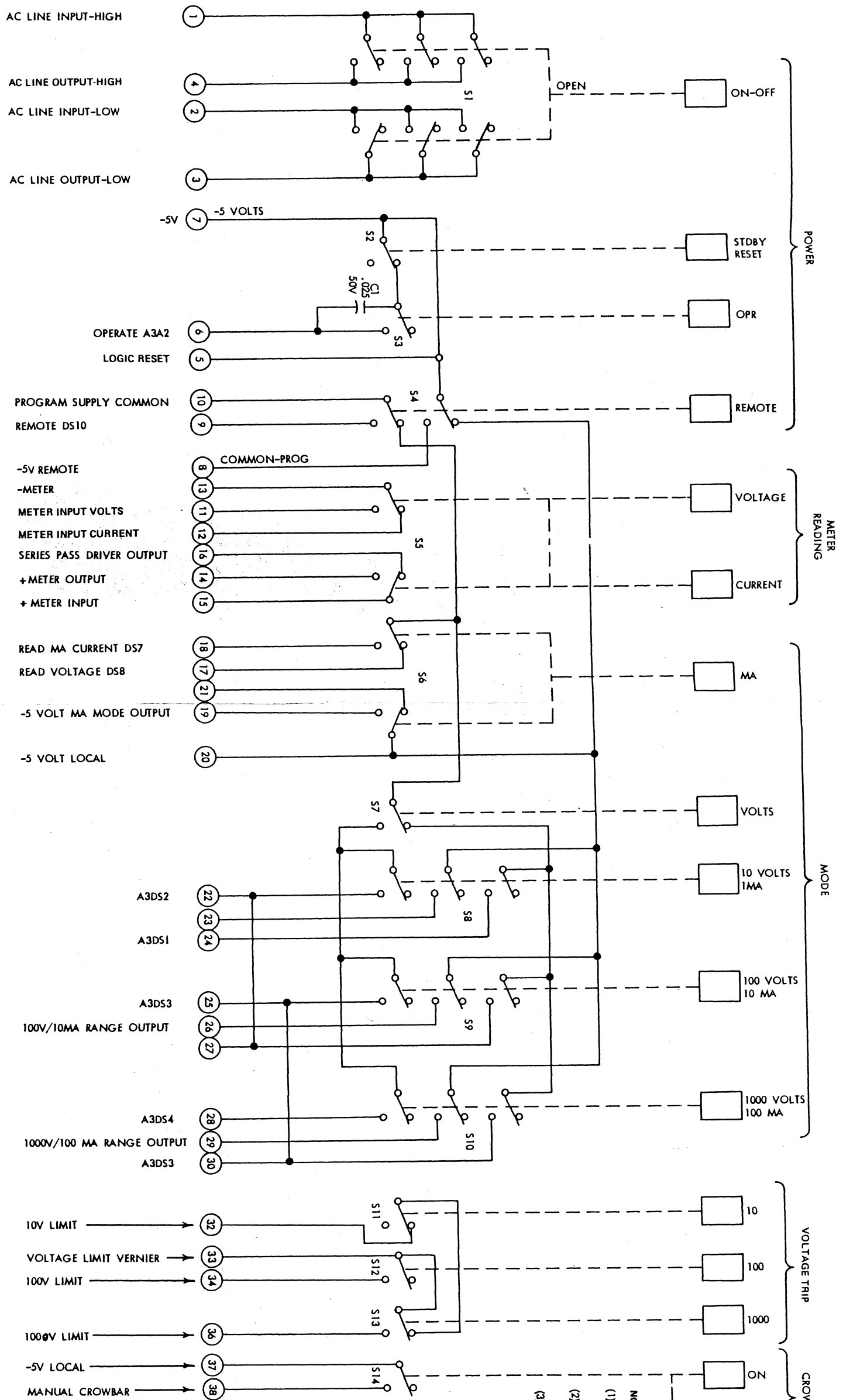
4/75

NOTES:
 (1) ALL RESISTANCES IN OHMS AND ALL CAPACITANCES IN MICROFARADS UNLESS OTHERWISE SPECIFIED.
 (2) ⊗ INDICATES INTERNAL ADJUSTMENT.
 (3) ⊕ INDICATES PROGRAMMING SUPPLY COMMON.



NOTES:
 (1) ALL RESISTANCES IN OHMS AND ALL CAPACITANCES IN MICROFARADS UNLESS OTHERWISE SPECIFIED
 (2) SERIES PASS OUTPUT COMMON
 (3) THESE TRANSFORMERS PART OF (A7) INNER CHASSIS.

FIGURE 8-3 A7 TRANSFORMER ASSEMBLY

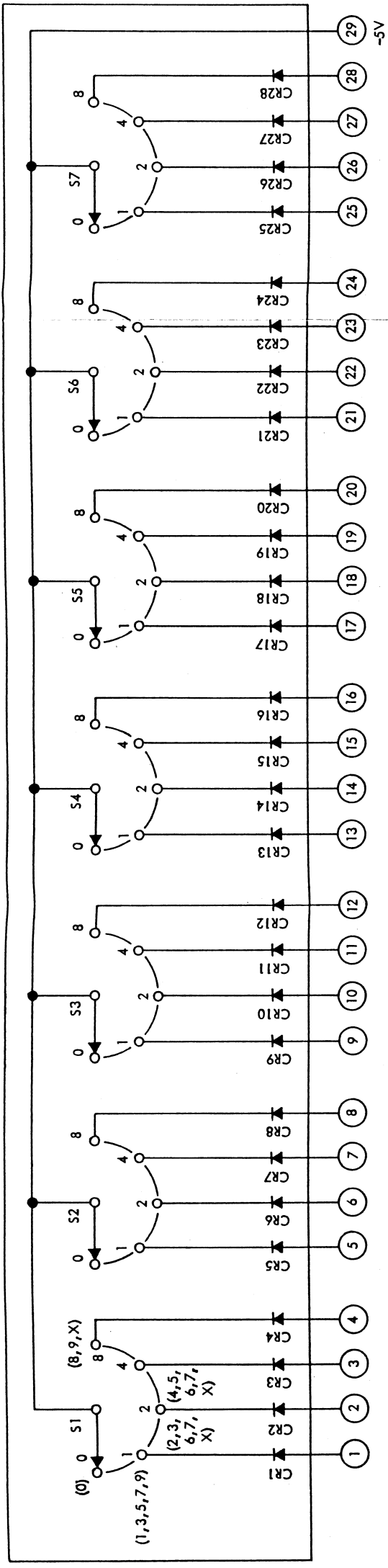


NOTES:
 (1) ALL SWITCHES ARE SHOWN IN THE NON-DEPRESSED POSITIONS.
 (2) PINS 31 AND 35 TIE POINTS ONLY.
 (3) ALL RESISTANCES IN OHMS AND ALL CAPACITANCES IN MICROFARADS UNLESS OTHERWISE SPECIFIED.

FIGURE 8-6 A3A2 SWITCH BOARD ASSEMBLY
 (3330B-1007)

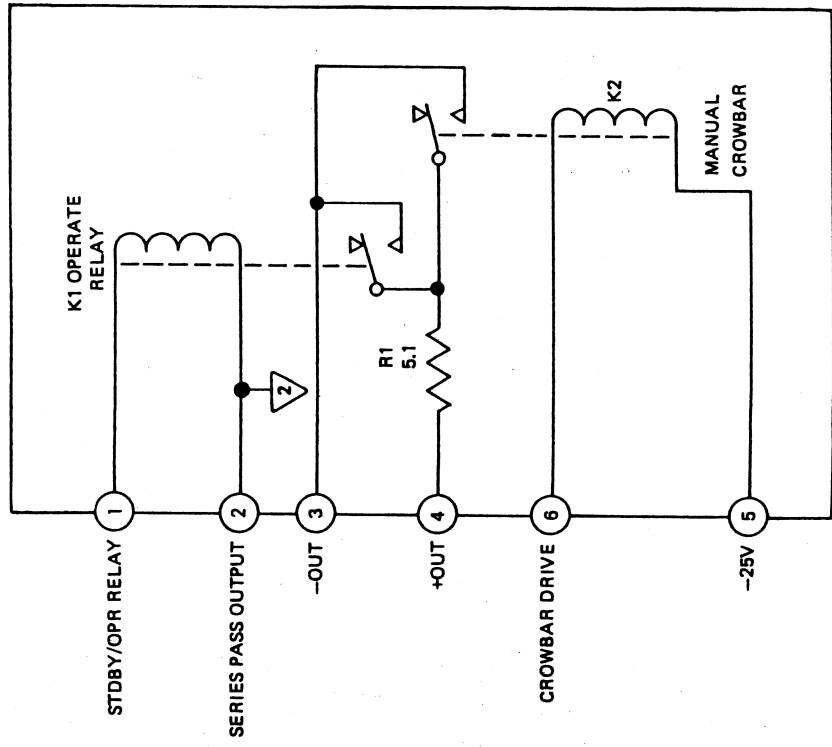
8-8

4/75



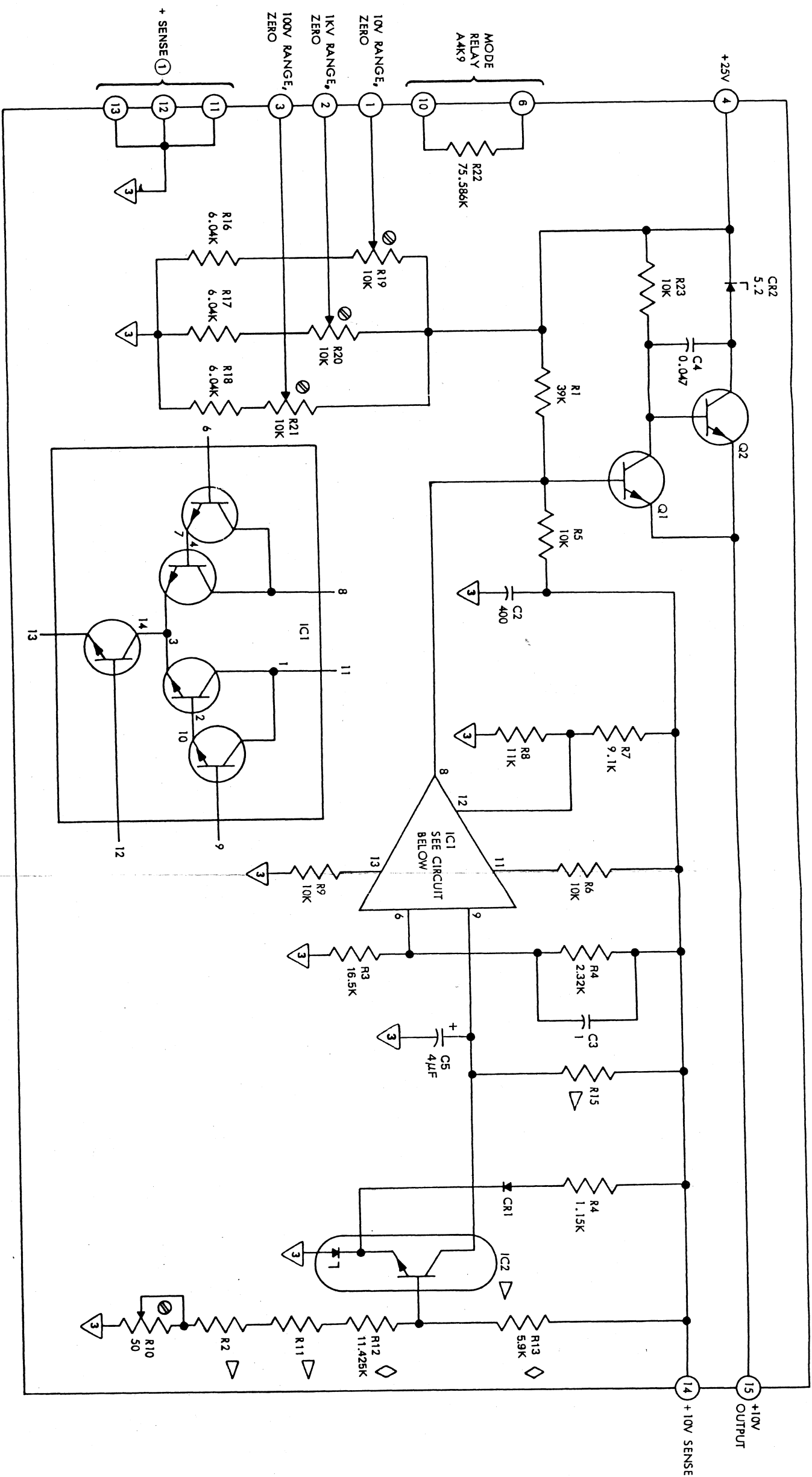
A3A1
DECADE SWITCH

NOTE:
 1. NUMBERS IN PARENTHESIS ARE SWITCH DIGIT POSITIONS.
 2. ALL RESISTANCE VALUES IN OHMS, CAPACITANCE IN MICROFARADS, AND INDUCTANCE IN HENRIES UNLESS OTHERWISE SPECIFIED.
 3.  SERIES PASS OUTPUT COMMON



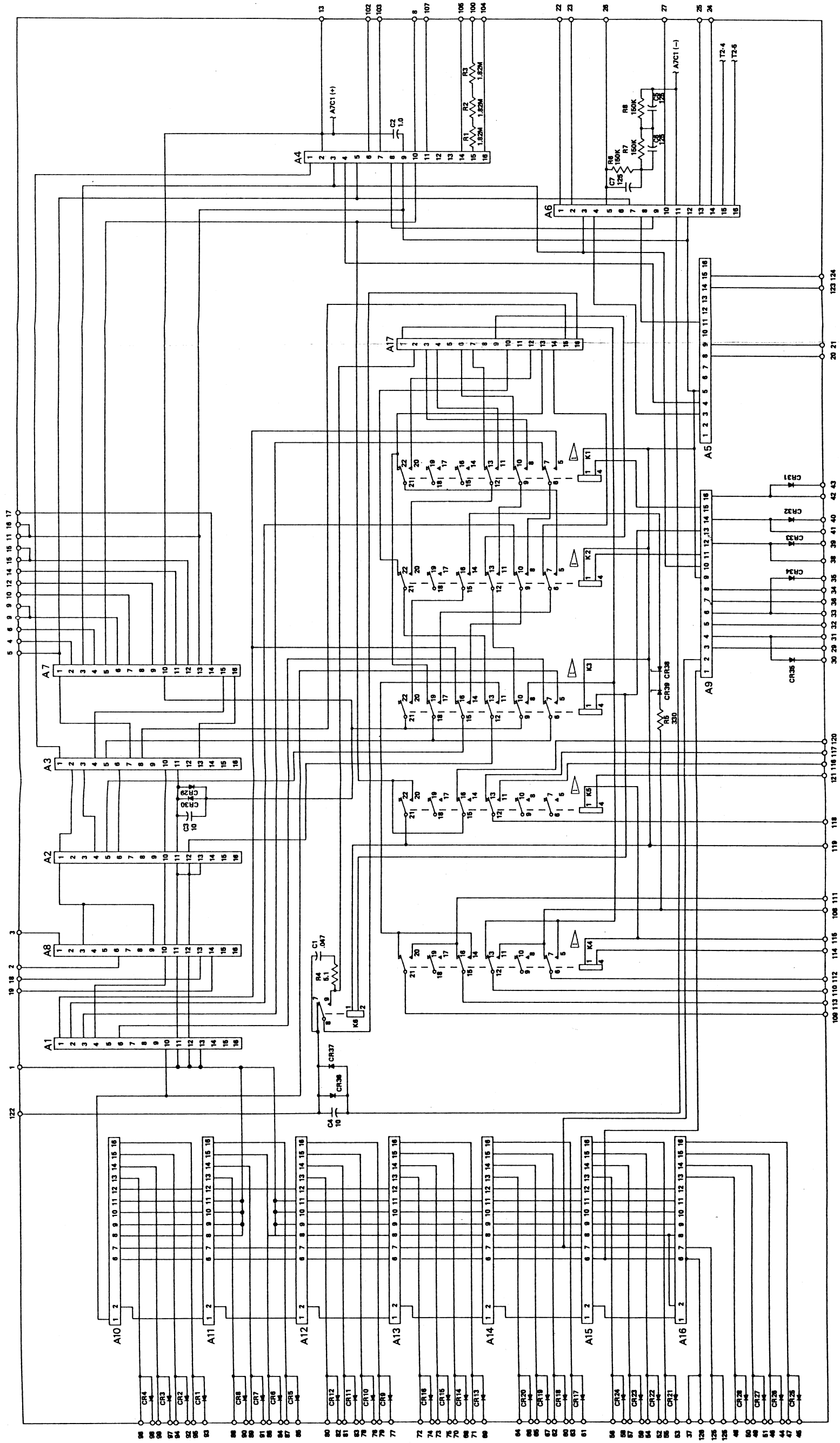
A6 RELAY BOARD

FIGURE 8-5 A3A1 DECADE SWITCH ASSEMBLY (333A-1019) AND A6 RELAY BOARD ASSEMBLY (3330B-1004)



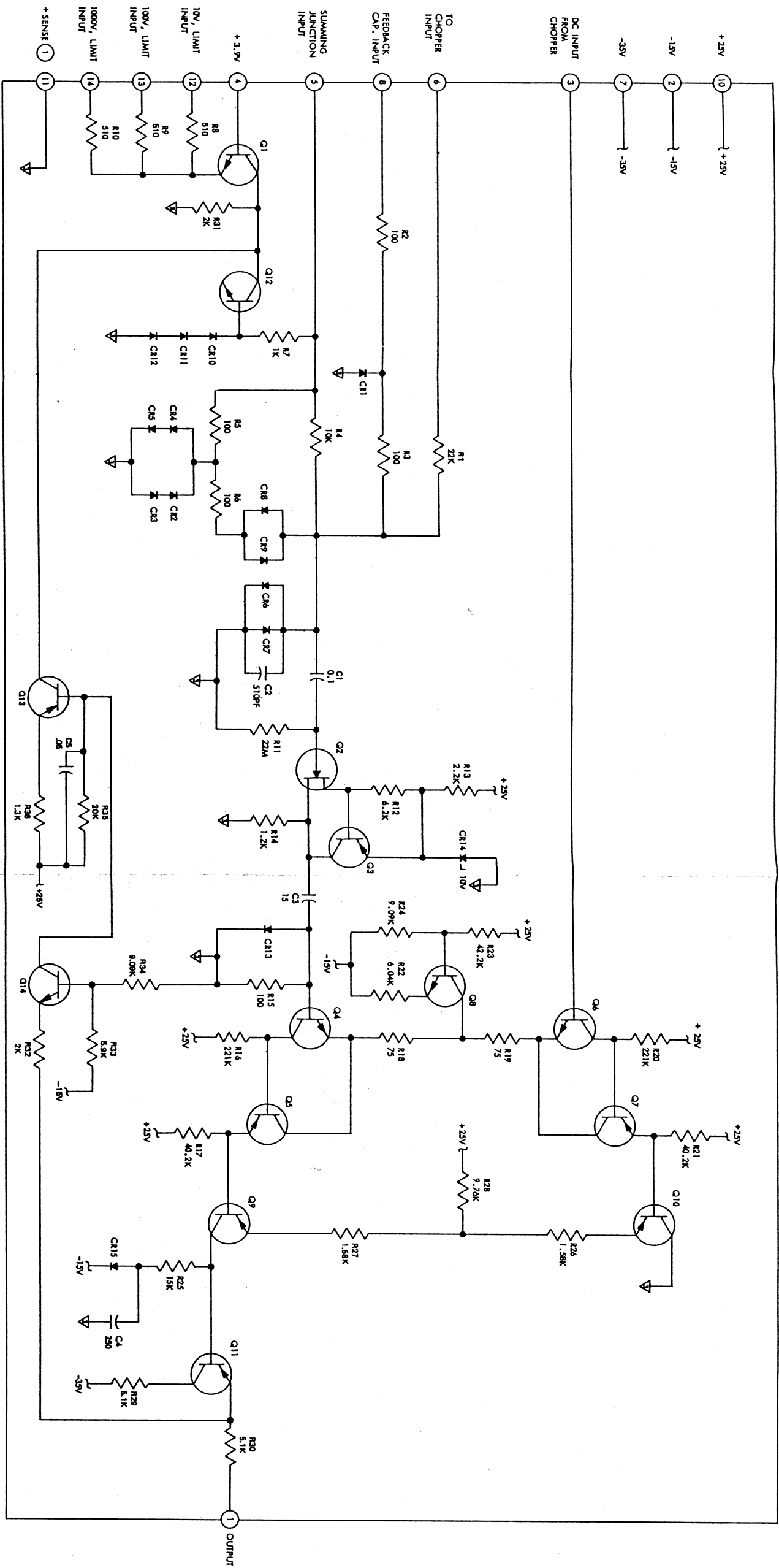
- NOTES:
- (1) ALL RESISTANCES IN OHMS AND ALL CAPACITANCE IN MICROFARADS UNLESS OTHERWISE SPECIFIED.
 - (2) ⊕ INDICATES INTERNAL ADJUSTMENT.
 - (3) ⊖ DENOTES MATCHED SET.
 - (4) ⬠ DENOTES MATCHED COMPONENTS.
 - (5) ⊕ + SENSE COMMON

FIGURE 8-8 A4A1 +10 VOLT REFERENCE SUPPLY (333A-1005)



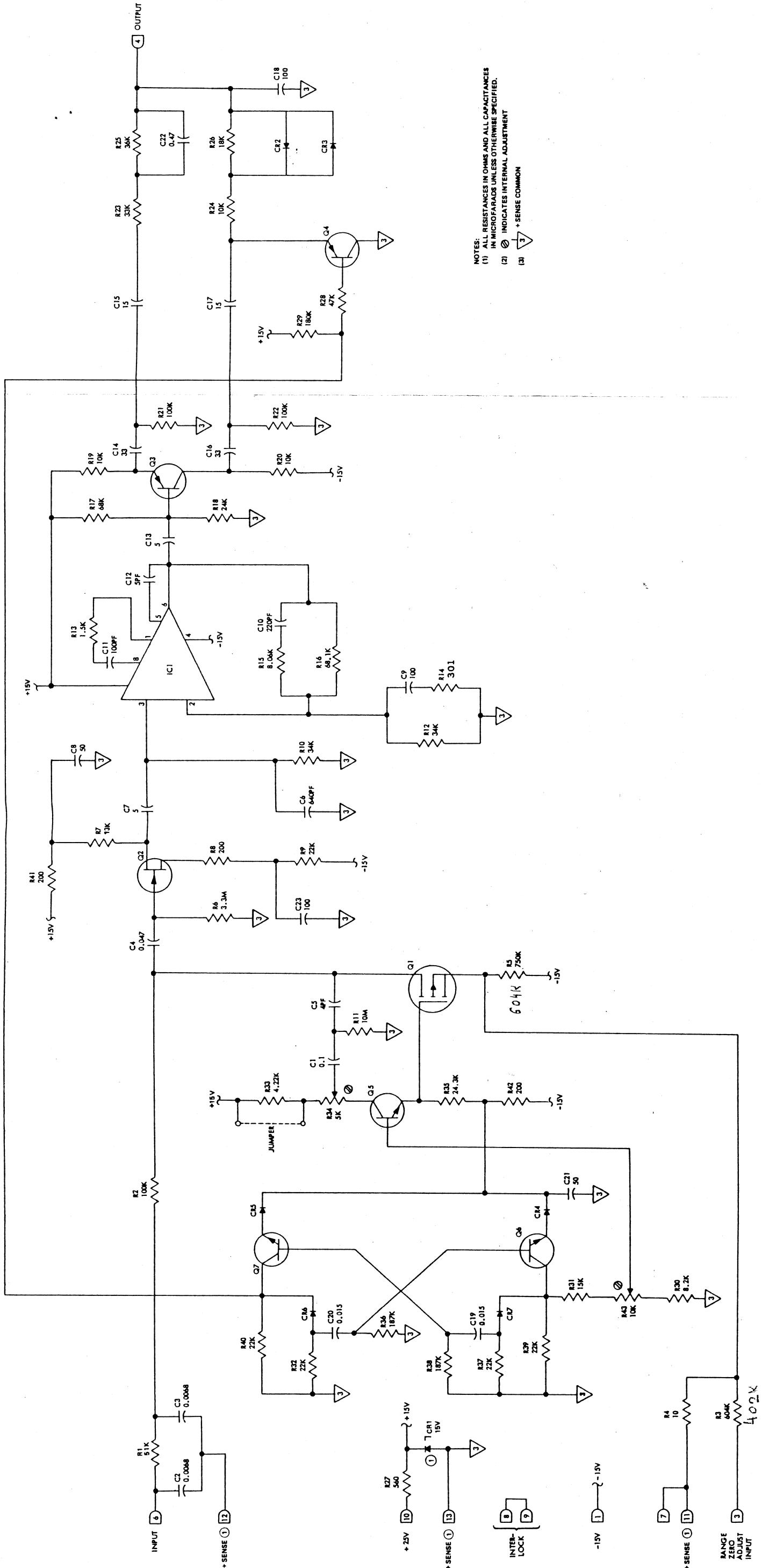
NOTES:
 1 ALL RESISTANCES IN OHMS AND CAPACITANCES IN MICROFARADS UNLESS OTHERWISE NOTED.
 2. \triangle K1 THRU K4 SHOWN IN ENERGIZED POSITIONS.

FIGURE 8-7 A4 MAIN MOTHER BOARD ASSEMBLY (3330B-1001)



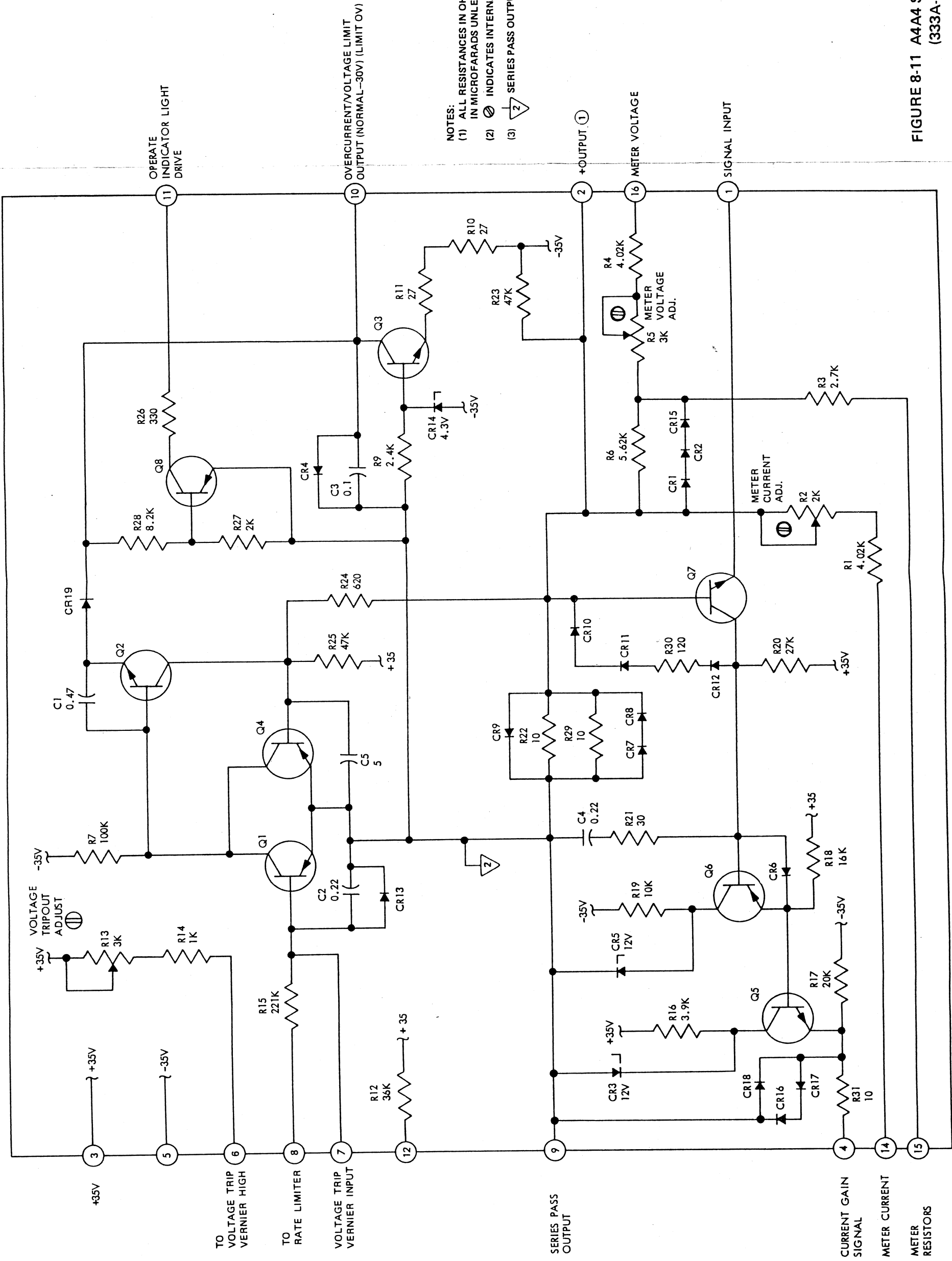
NOTES:
 (1) ALL RESISTANCES IN OHMS AND ALL CAPACITANCES IN MICROFARADS UNLESS OTHERWISE SPECIFIED.
 (2) ⊕ INDICATES INTERNAL ADJUSTMENT.
 (3) ∇ + SENSE COMMON

FIGURE 8-10 AA43 DIFFERENTIAL AMPLIFIER
 (3330B-1003)



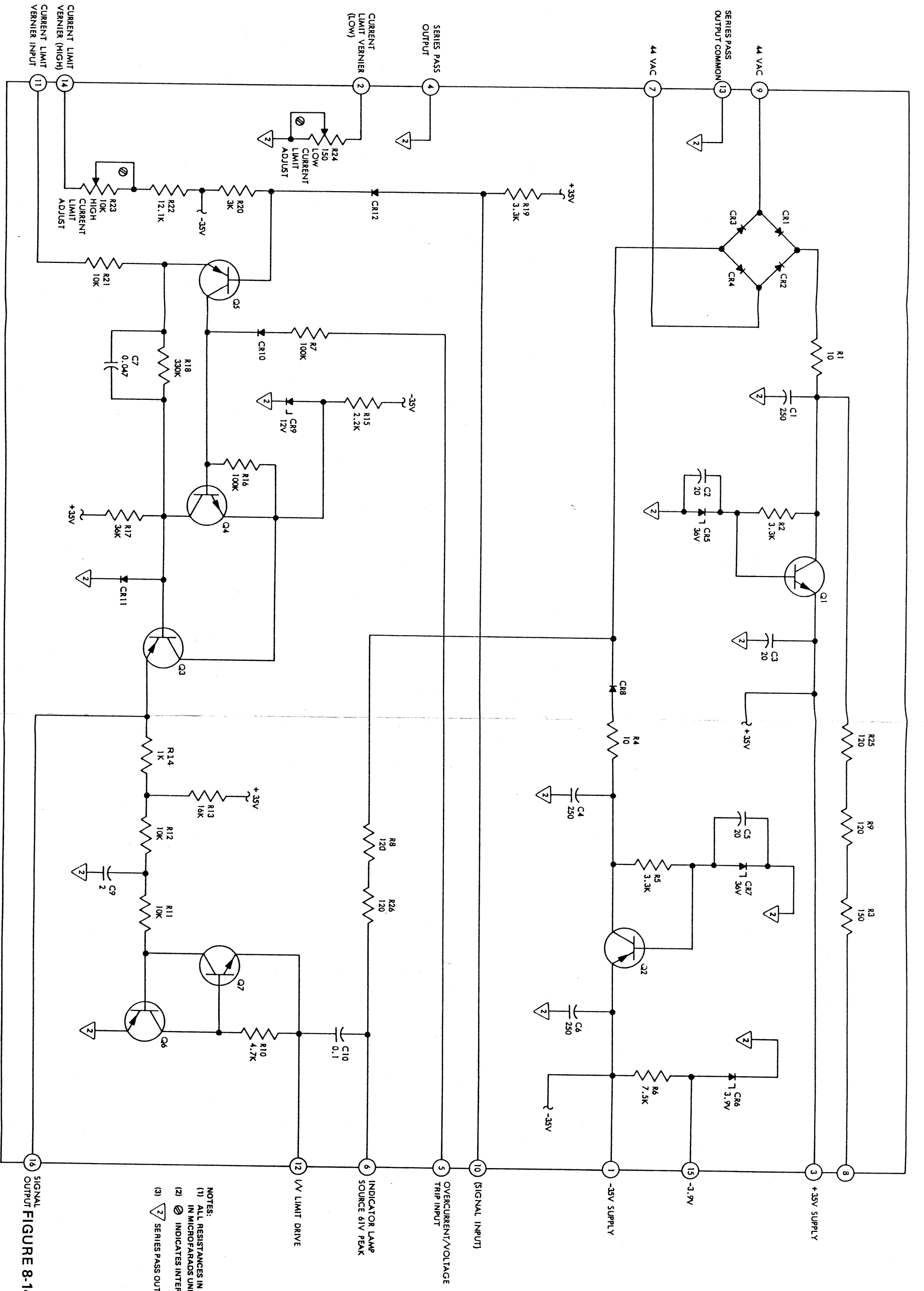
NOTES:
 (1) ALL RESISTANCES IN OHMS AND ALL CAPACITANCES IN MICROFARADS UNLESS OTHERWISE SPECIFIED.
 (2) ⊕ INDICATES INTERNAL ADJUSTMENT
 (3) ⊕ + SENSE COMMON

FIGURE 8-9 A4A2 CHOPPER AMPLIFIER (333A-1004)



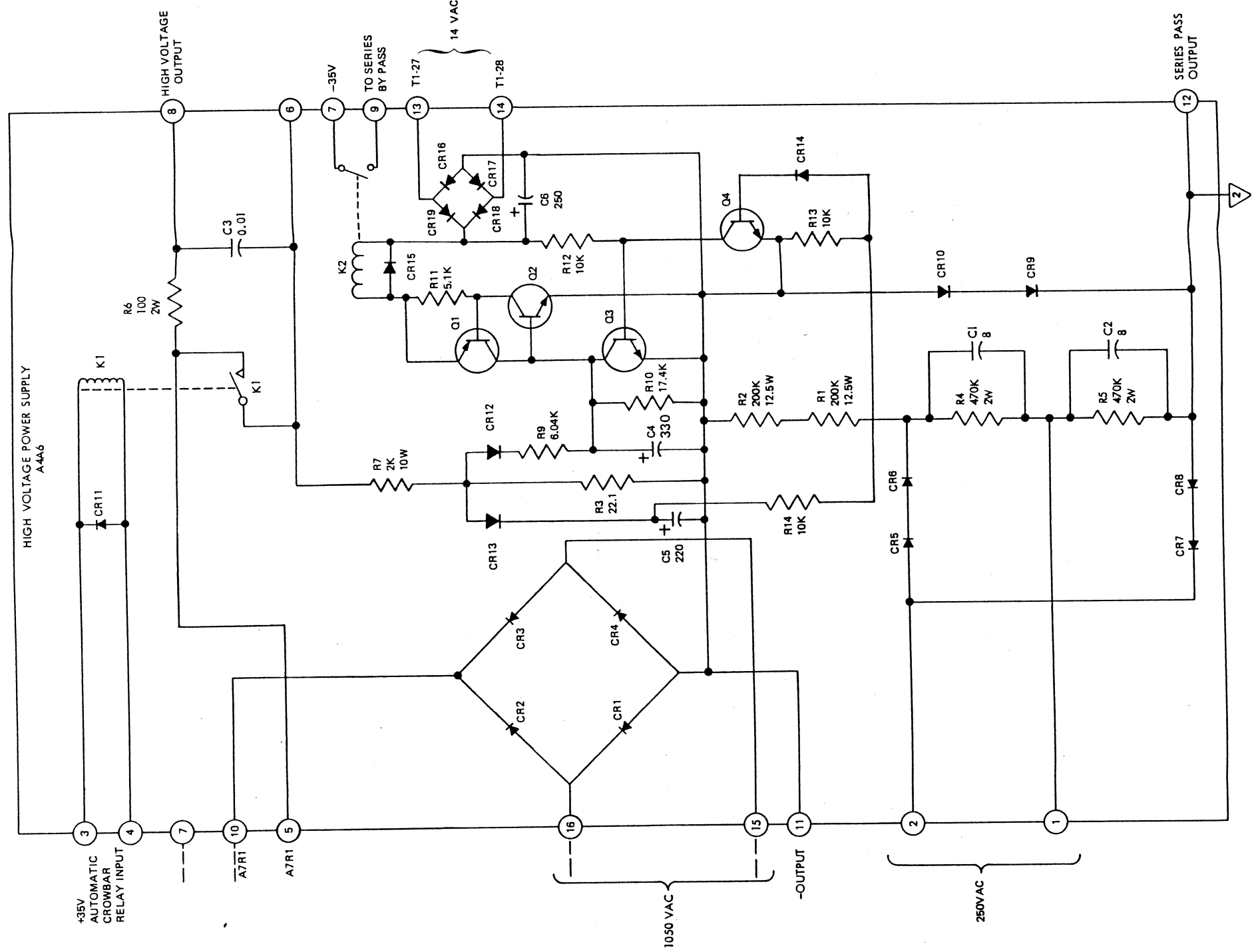
NOTES:
 (1) ALL RESISTANCES IN OHMS AND ALL CAPACITANCES IN MICROFARADS UNLESS OTHERWISE SPECIFIED.
 (2) ⊕ INDICATES INTERNAL ADJUSTMENT.
 (3) ⊚ SERIES PASS OUTPUT COMMON

FIGURE 8-11 A4A4 SERIES-PASS DRIVER (333A-1024)



- NOTES:
- (1) ALL RESISTANCES IN OHMS AND ALL CAPACITANCES IN MICROFARADS UNLESS OTHERWISE SPECIFIED.
 - (2) INDICATES INTERNAL ADJUSTMENT.
 - (3) SERIES PASS OUTPUT COMMON.

FIGURE 8-14 AA47 CURRENT LIMITER
(333A-1032)



NOTES:
 (1) ALL RESISTANCES IN OHMS AND ALL CAPACITANCES IN MICROFARADS UNLESS OTHERWISE SPECIFIED.
 (2) ⊕ INDICATES INTERNAL ADJUSTMENT
 (3) ⊚ SERIES PASS OUTPUT COMMON

FIGURE 8-13 A4A6 HIGH VOLTAGE POWER SUPPLY (3330B-1002)

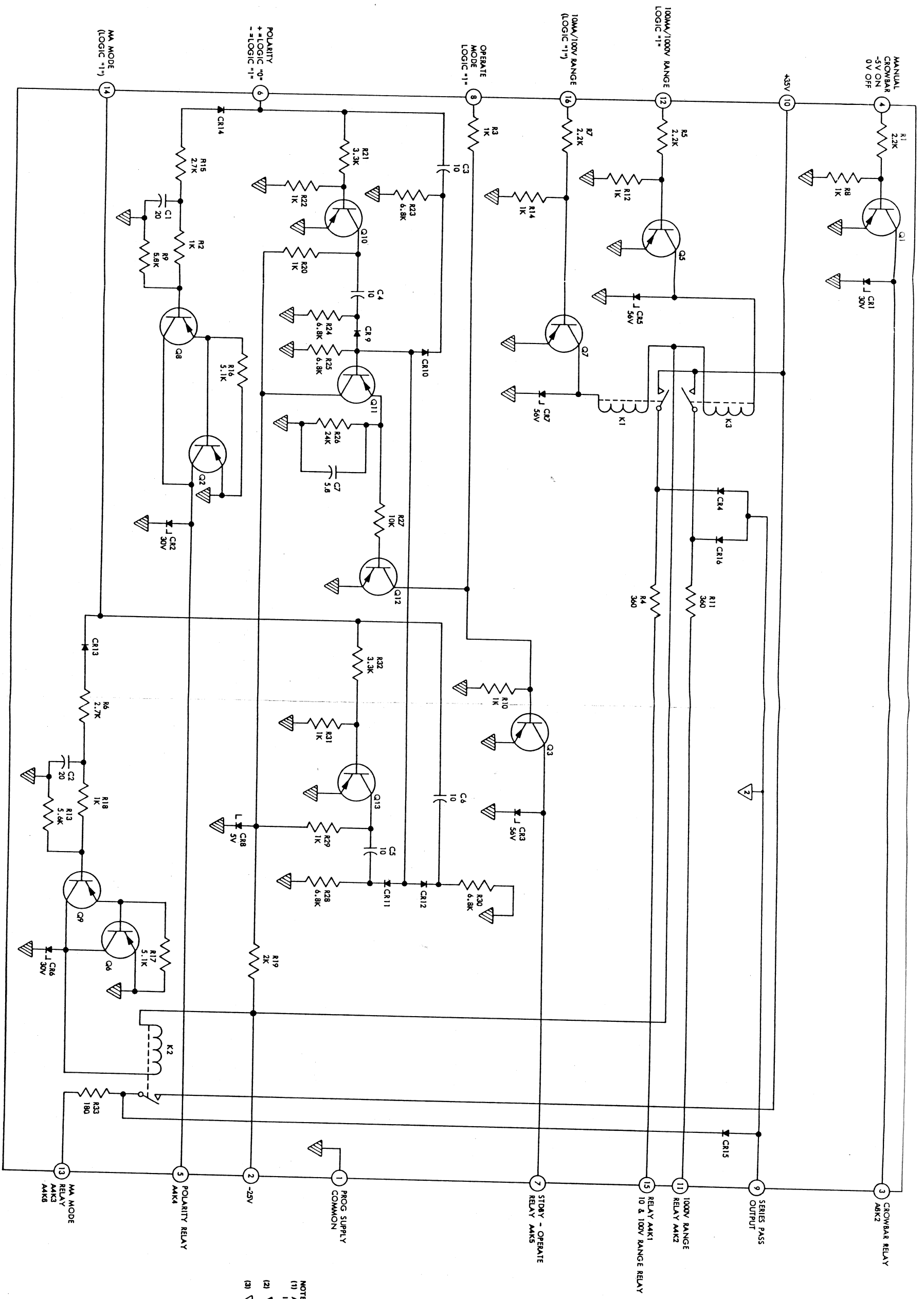
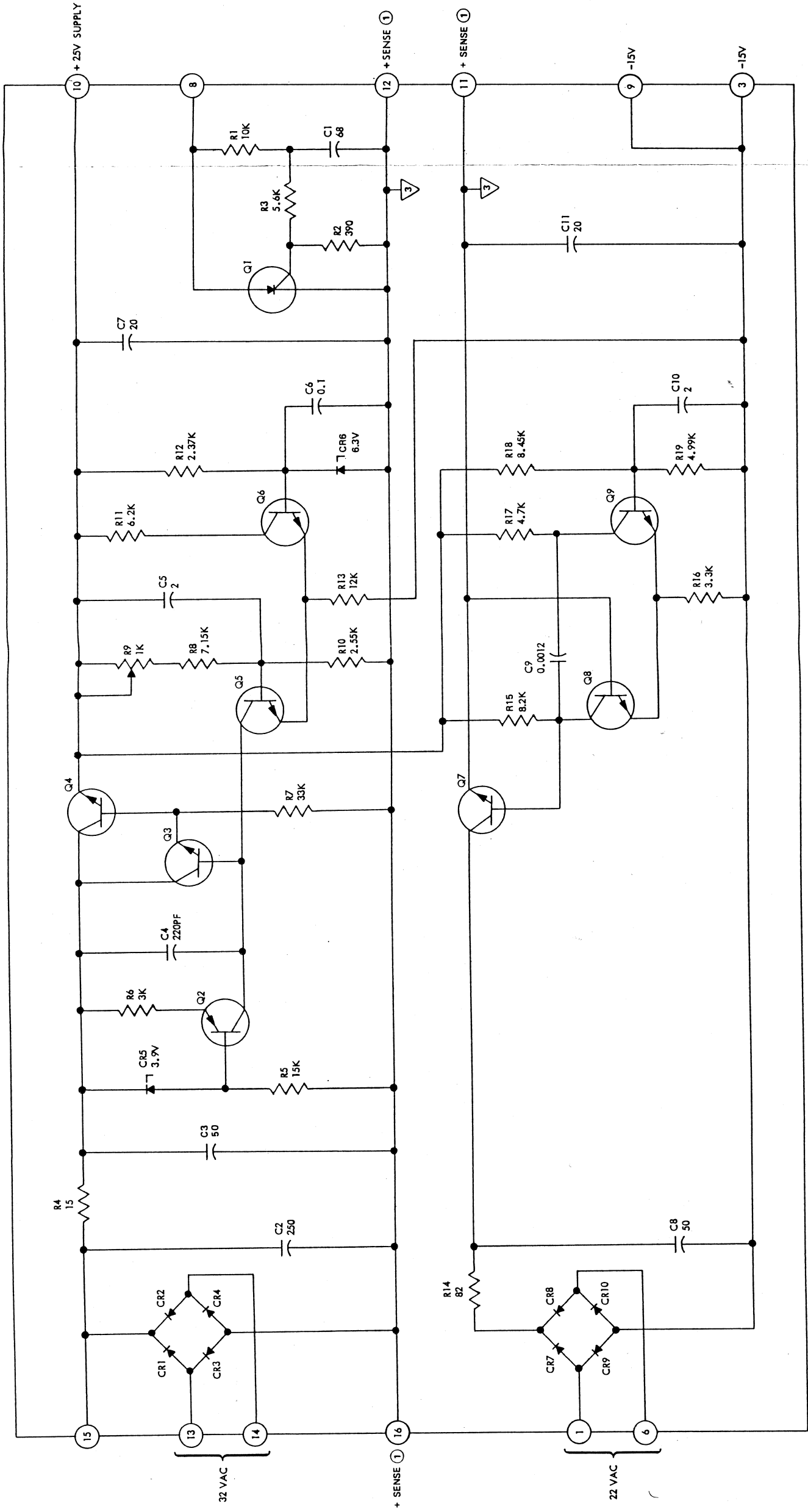


FIGURE 8-16 AA4A9 RELAY DRIVER (333A-1009)

8-18

4/75

- NOTES:
- (1) ALL RESISTANCES IN OHMS AND ALL CAPACITANCES IN MICROFARADS UNLESS OTHERWISE SPECIFIED.
 - (2) INDICATES PROGRAM SUPPLY COMMON
 - (3) SERIES PASS OUTPUT COMMON



NOTES:
 (1) RESISTANCES IN OHMS AND ALL CAPACITANCES IN MICROFARADS UNLESS OTHERWISE SPECIFIED.
 (2) ∇ + SENSE COMMON.

FIGURE 8-15 A4A8 +25, -15 VOLT POWER SUPPLY (335A-1059)

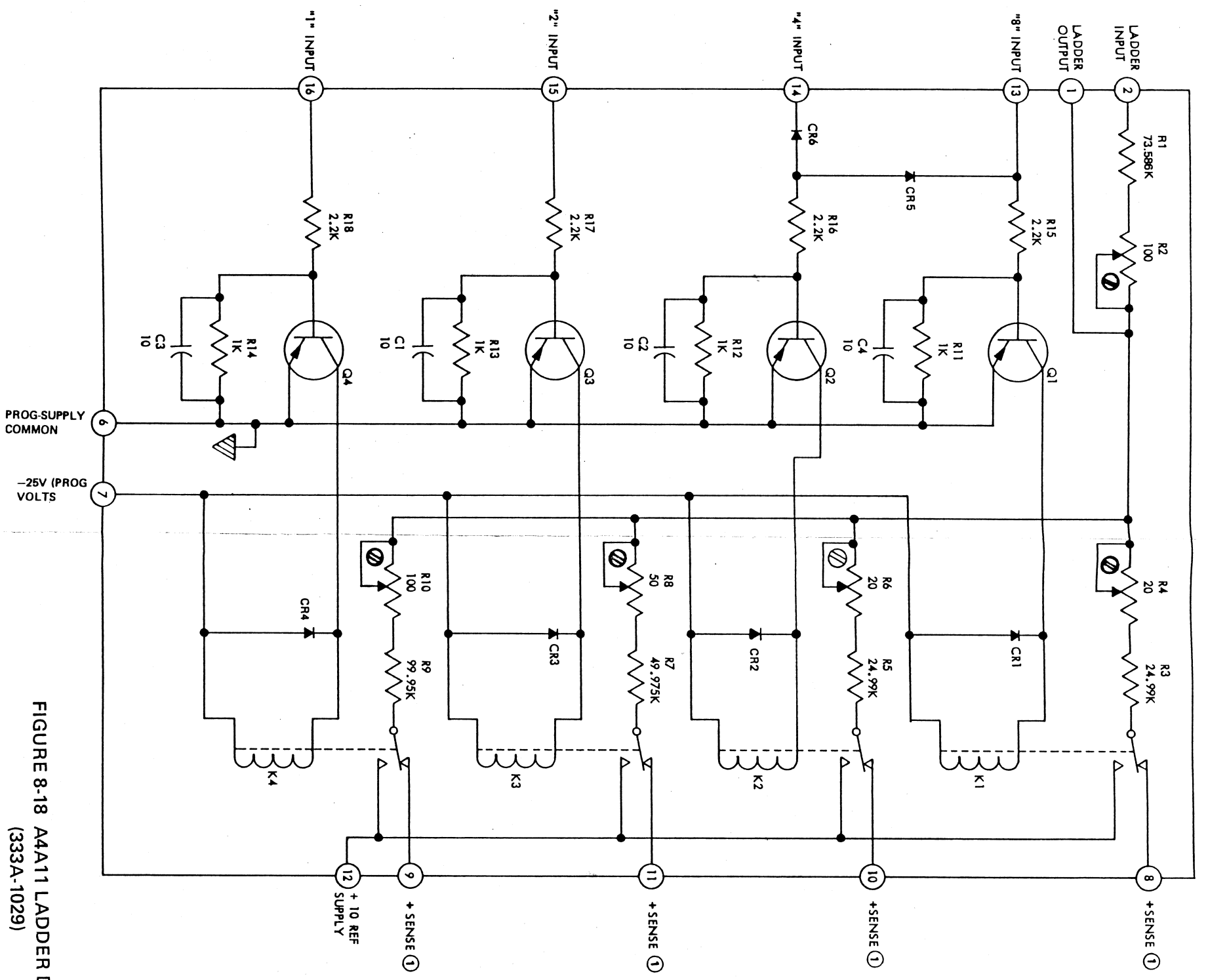
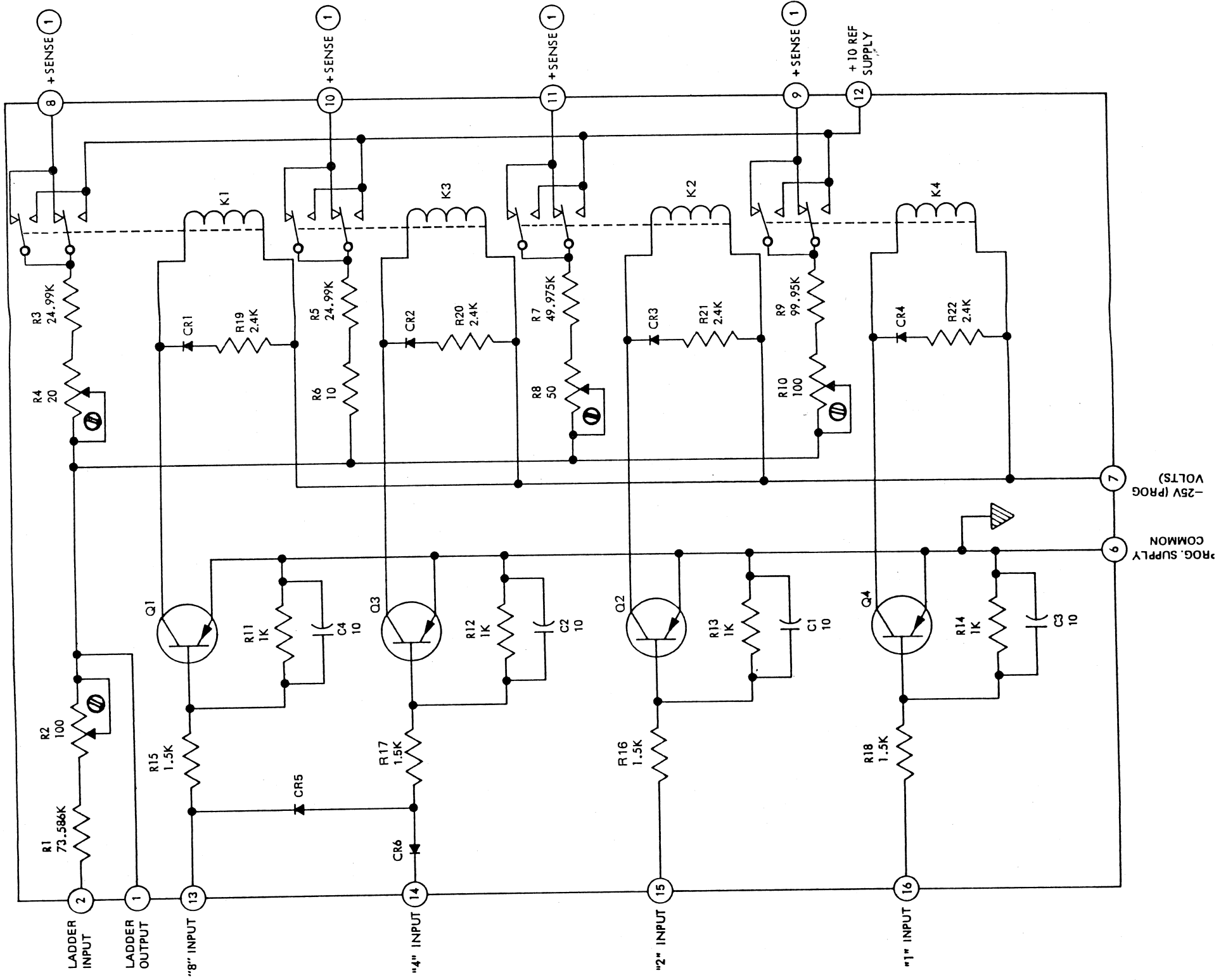


FIGURE 8-18 AA411 LADDER DRIVER NO. 2
(333A-1029)

- NOTES:
- (1) ALL RESISTANCES IN OHMS AND ALL CAPACITANCES IN MICROFARADS UNLESS OTHERWISE SPECIFIED.
 - (2) ⊗ INDICATES INTERNAL ADJUSTMENT.
 - (3) ▽ PROGRAM SUPPLY COMMON



NOTES:
 (1) ALL RESISTANCES IN OHMS AND ALL CAPACITANCES IN MICROFARADS UNLESS OTHERWISE SPECIFIED.
 (2) ⊗ INDICATES INTERNAL ADJUSTMENT.
 (3) ⏏ PROGRAM SUPPLY COMMON

FIGURE 8-17 A4A10 LADDER DRIVER NO. 1
 (3330B-1031)

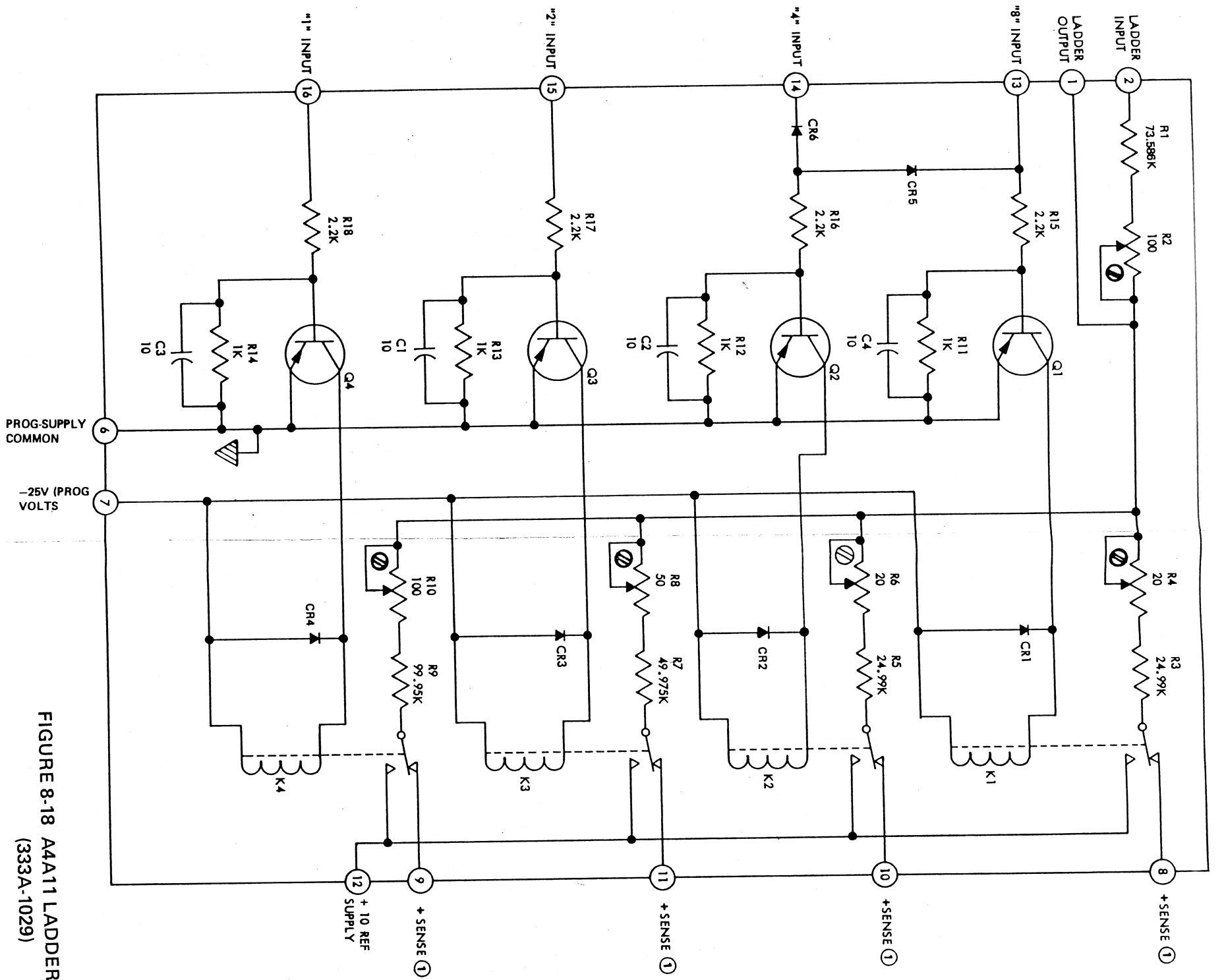


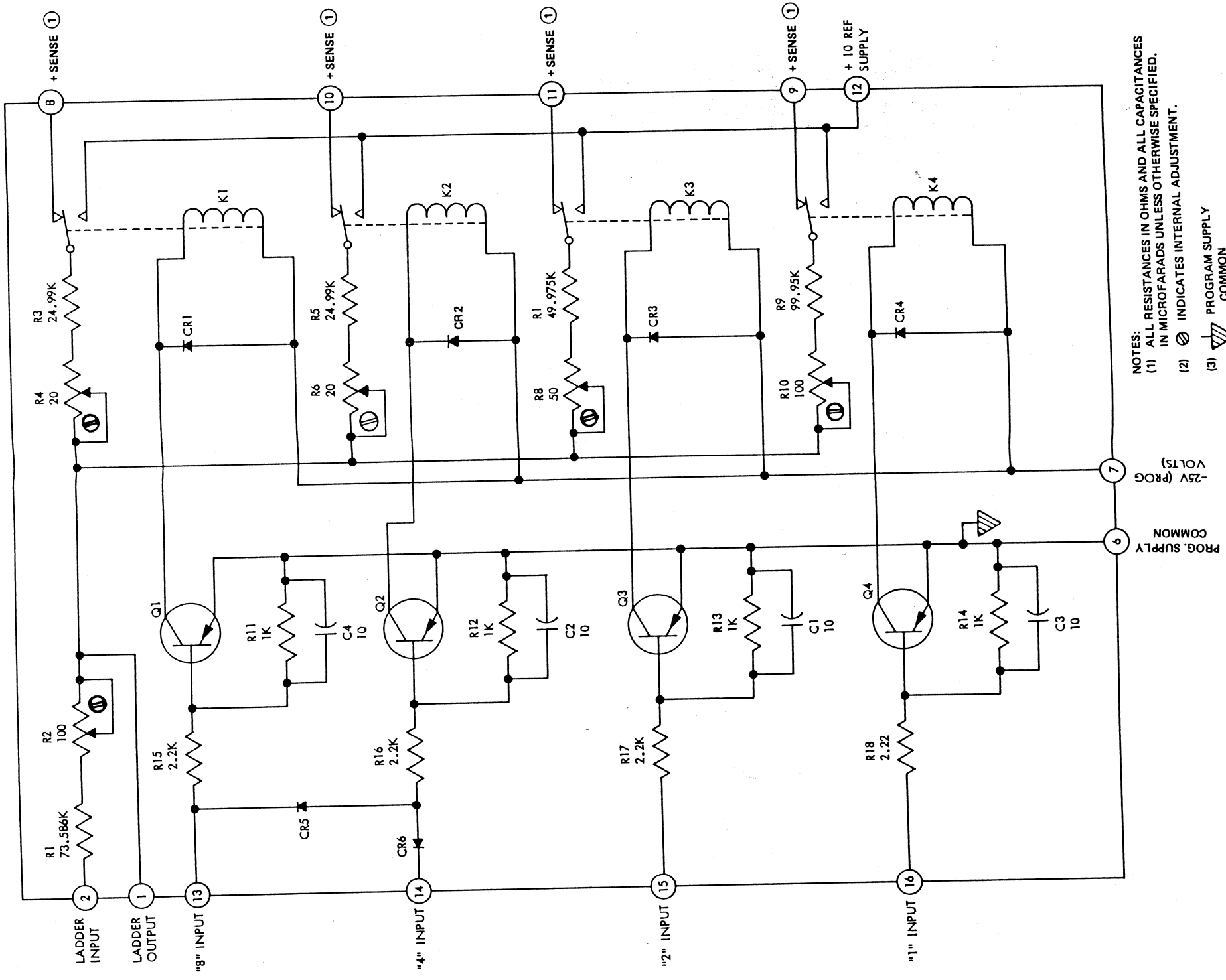


FIGURE 8-18 A4A11 LADDER DRIVER NO. 2
(333A-1029)

- NOTES:
- (1) ALL RESISTANCES IN OHMS AND ALL CAPACITANCES IN MICROFARADS UNLESS OTHERWISE SPECIFIED.
 - (2)  INDICATES INTERNAL ADJUSTMENT.
 - (3)  PROGRAM SUPPLY COMMON



NOTES:
 (1) ALL RESISTANCES IN OHMS AND ALL CAPACITANCES IN MICROFARADS UNLESS OTHERWISE SPECIFIED.
 (2) ⊕ INDICATES INTERNAL ADJUSTMENT.
 (3) ▽ PROGRAM SUPPLY COMMON

FIGURE 8-19 A4A12 LADDER DRIVER NO. 3 (333A-1028)

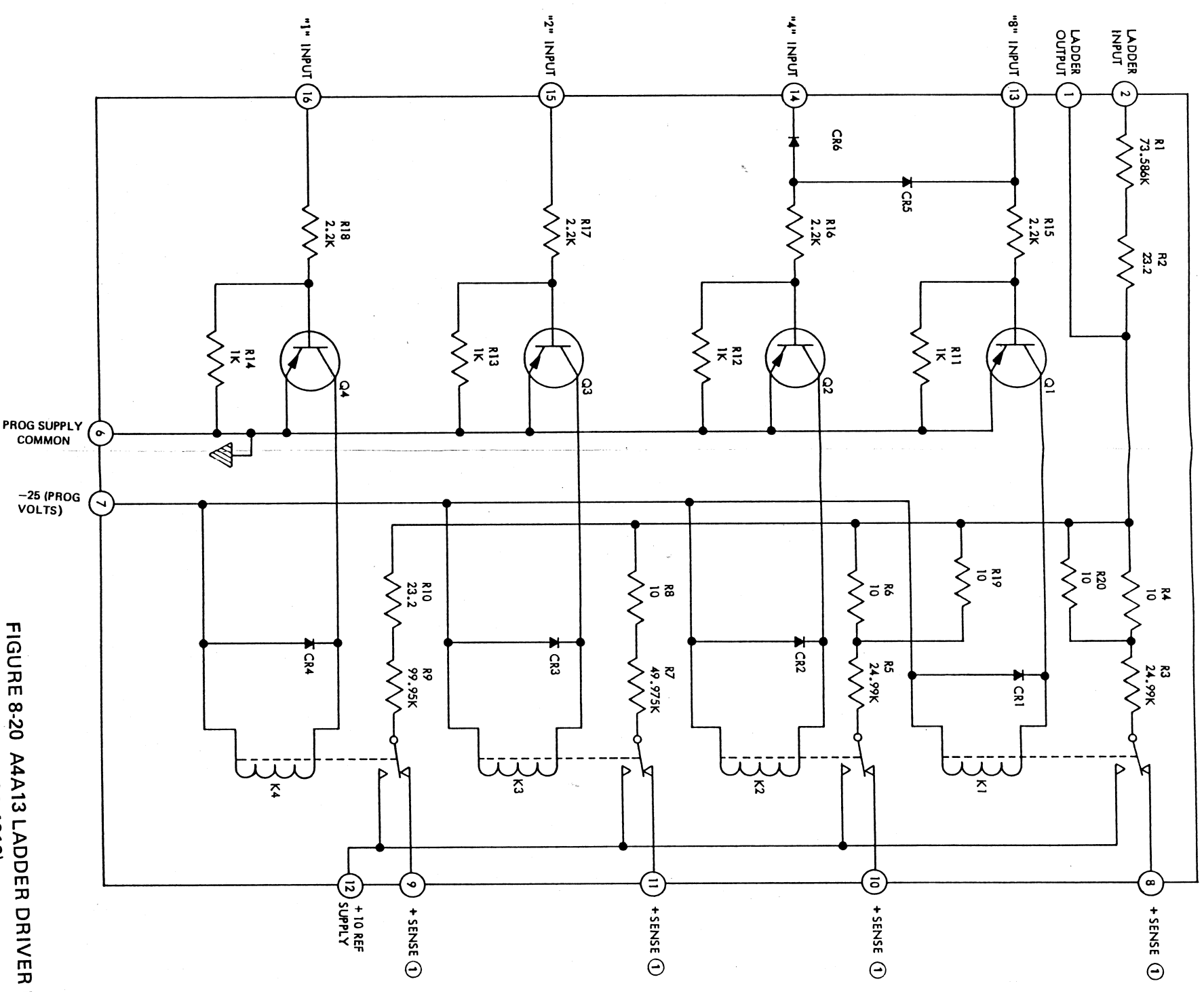
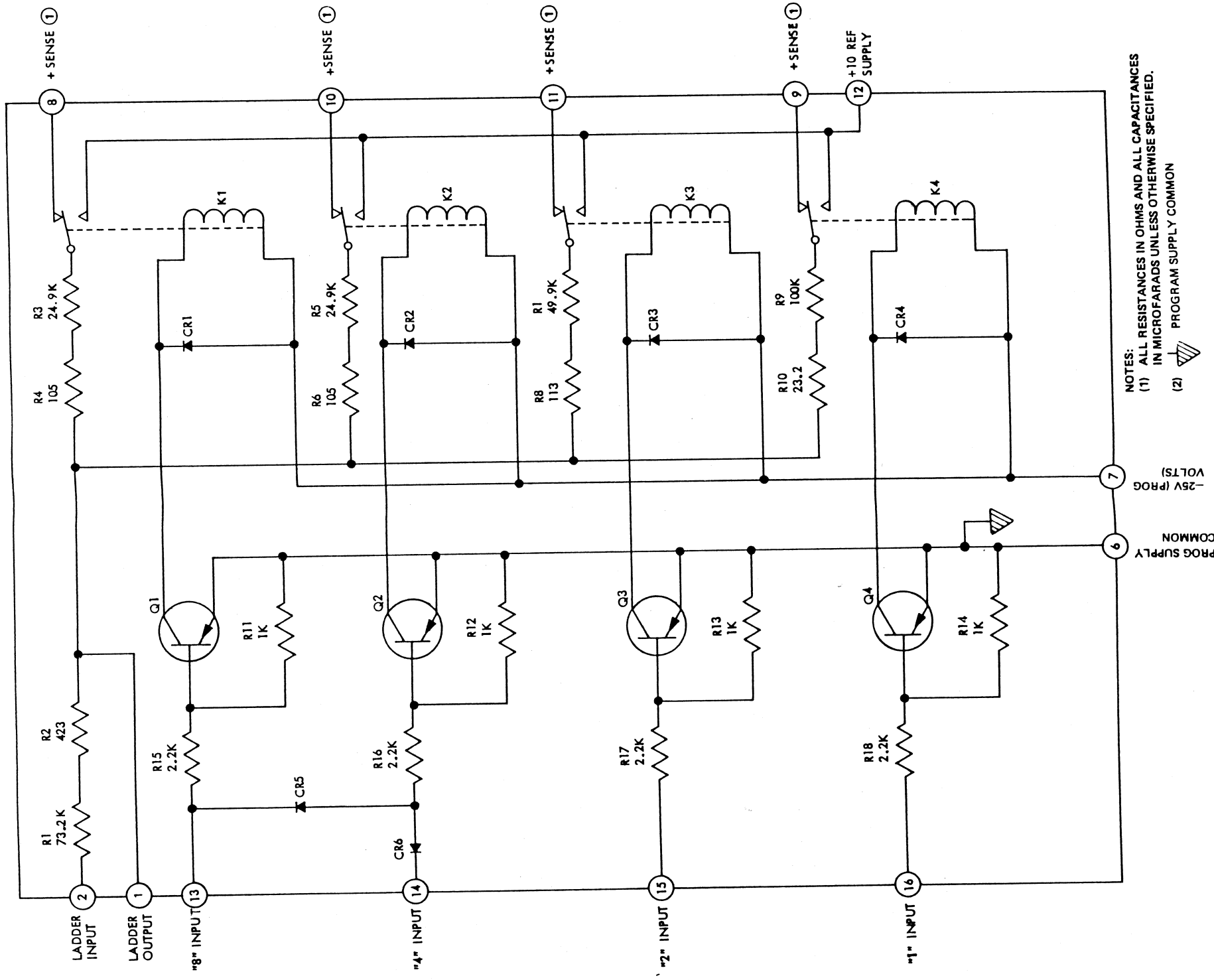


FIGURE 8-20 A4A13 LADDER DRIVER NO. 4
(333A-1016)

8-22

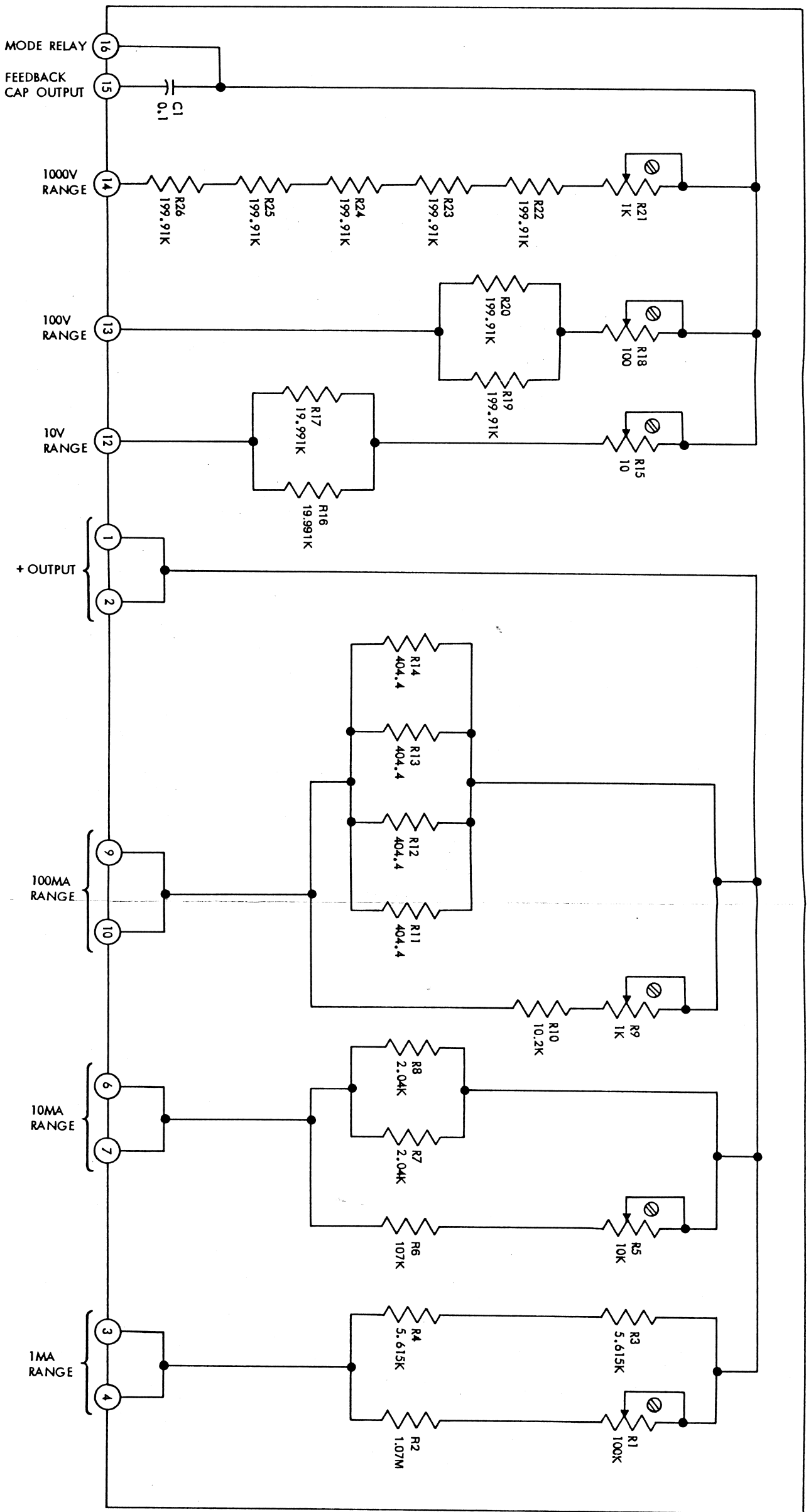
4/75

- NOTES:
- (1) ALL RESISTANCES IN OHMS AND ALL CAPACITANCES IN MICROFARADS UNLESS OTHERWISE SPECIFIED.
 - (2) PROGRAM SUPPLY COMMON.



NOTES:
 (1) ALL RESISTANCES IN OHMS AND ALL CAPACITANCES IN MICROFARADS UNLESS OTHERWISE SPECIFIED.
 (2) PROGRAM SUPPLY COMMON

FIGURE 8-21 A4A14/A4A15/A4A16 LADDER DRIVER NO. 5/6/7 (333A-1002)

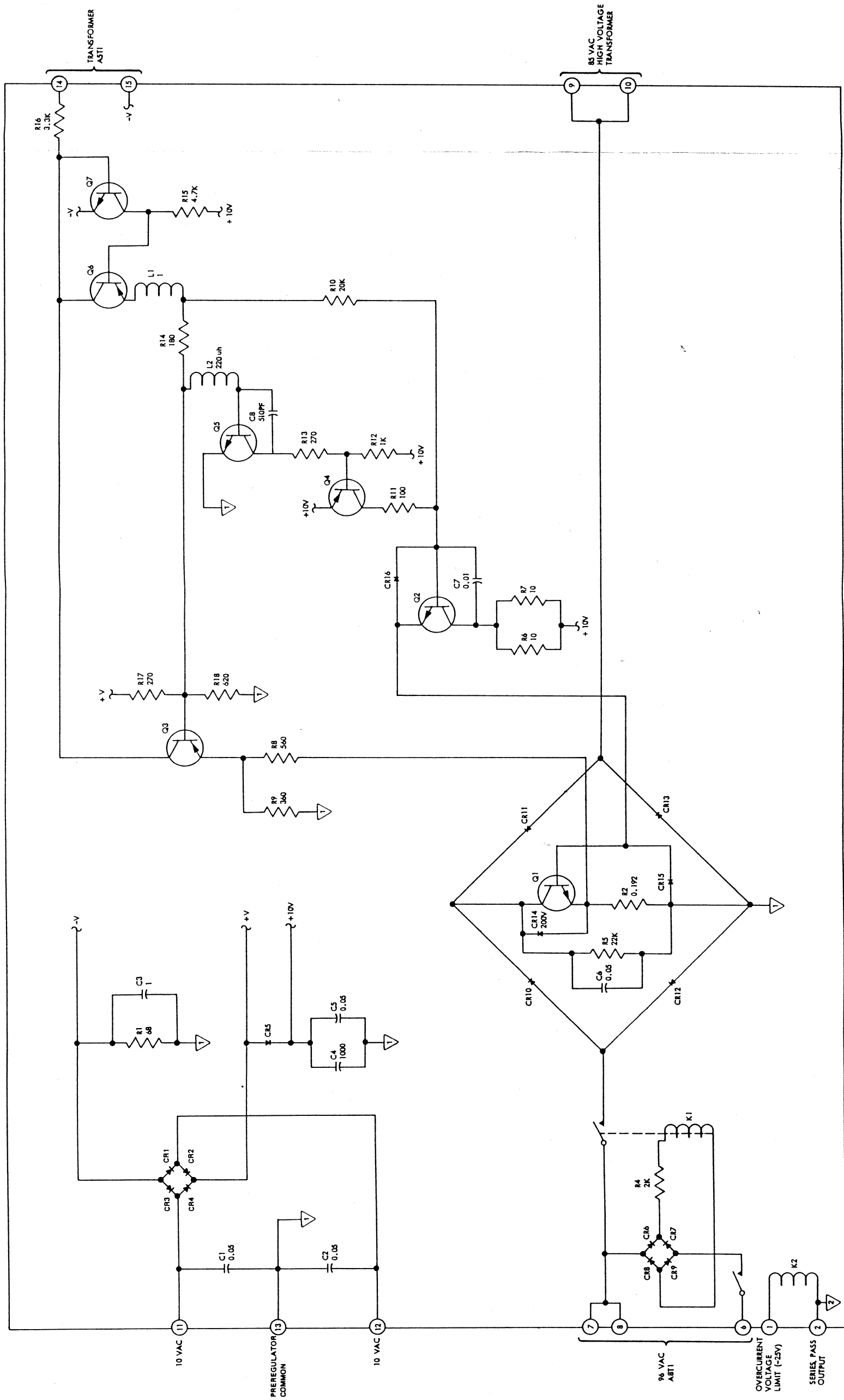


NOTES:
 (1) ALL RESISTANCES IN OHMS AND ALL CAPACITANCES IN MICROFARADS UNLESS OTHERWISE SPECIFIED.
 (2) INDICATES INTERNAL ADJUSTMENT.

FIGURE 8-22 44A17 RANGE SHUNT NETWORK
 (333A-1008)

8-24

4/75



- NOTES:
 (1) ALL RESISTANCES IN OHMS AND ALL CAPACITANCES IN MICROFARADS UNLESS OTHERWISE SPECIFIED.
 (2) ⊕ INDICATES INTERNAL ADJUSTMENT.
 (3) ⊖ PREREGULATOR COMMON
 (4) ⊖ SERIES PASS OUTPUT COMMON

FIGURE 8-25 A5A2 PRE-REGULATOR (335A-1082)

020-500-020
Christoph Lüders
Badenstedter Str. 4
30449 Hannover



(Deutschland)

PAKETMARKE
SPEZIAL

www.Europaposten.de



34 643 196 663 1



(96)959884

Birger Jettkant
Knappenstr. 31
44799 Bochum